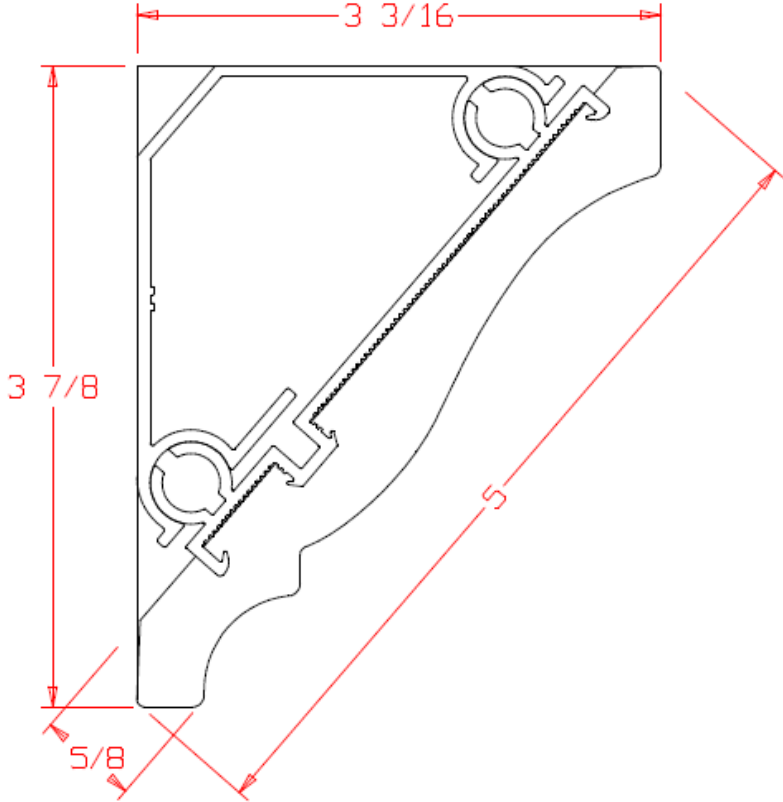
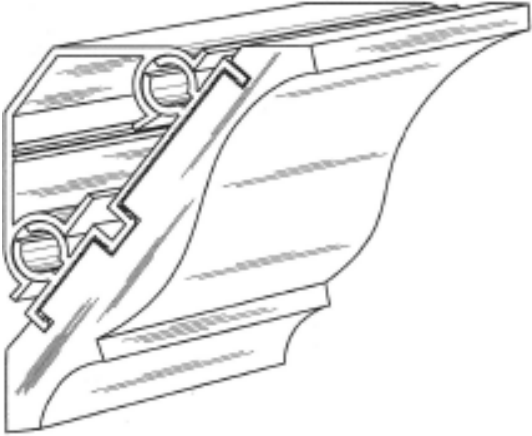
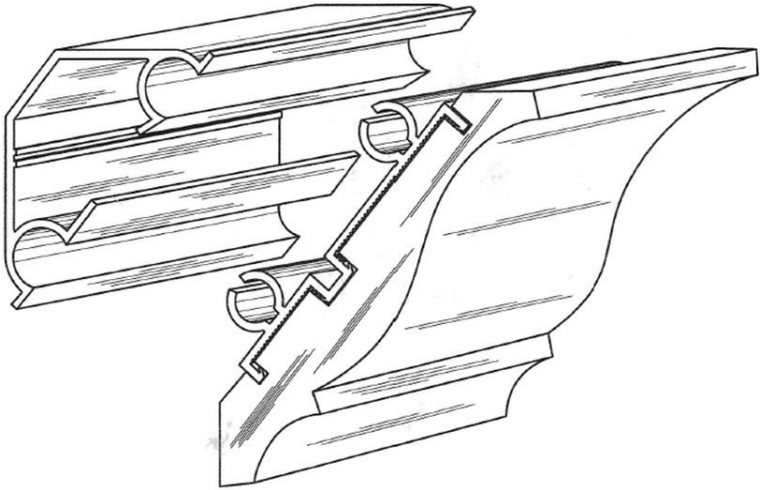


#45 Traditional Crown Moulding



Part # KS-45

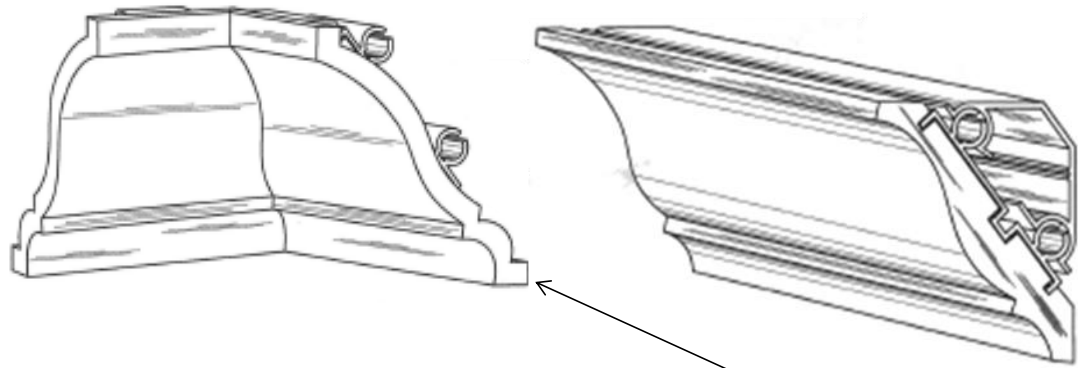
Keystone

Part # IN-45

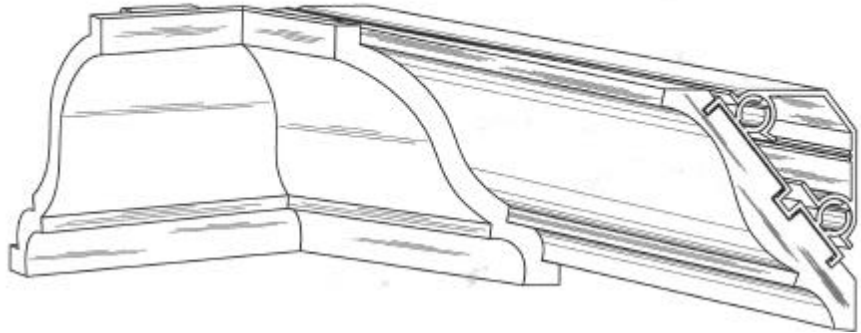
Inside Corner

Part # OT-45

Outside Corner



Traditional 45 Overlay for IN-45, OT-45, and KS-45



Part # KS-45

Keystone

Part # IN-45

Inside Corner

Part # OT-45

Outside Corner

